

# DMT1085 / DMT1087

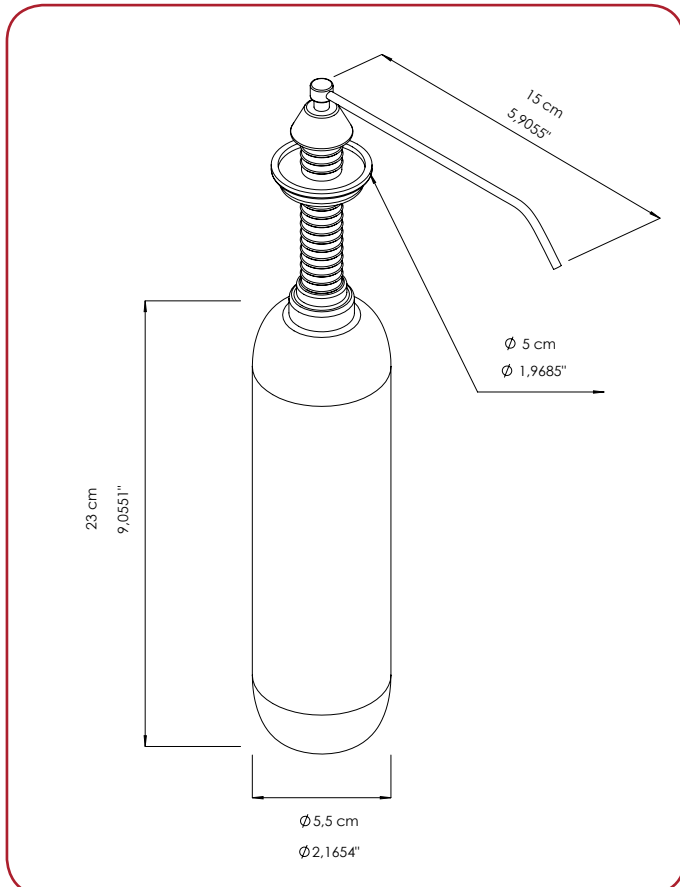
## Surface Mounted Soap/Foam Dispenser



DMT1085



DMT1087



DMT1085

### GENERAL DESCRIPTION

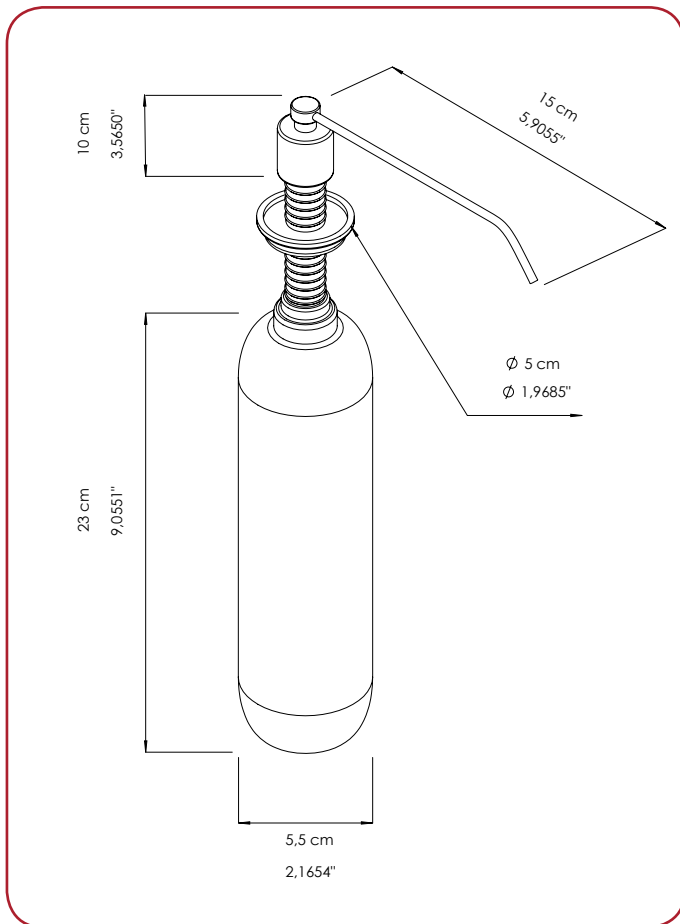
- + Surface mounted soap/foam made with chrome-plated brass material and polypropylene / polyethylene plastic components.
- + Available in only bright finish.
- + Useful for the public areas.
- + DMT 1085 is for soap chemicals and DMT1087 is for foam chemicals.
- + Plastic tank has 1000 ml capacity.
- + Spout can rotate 360 degree.
- + It is filled by removing the container from the below counter.

### COMPONENTS AND MATERIAL

- + DMT1085 Chrome-plated brass, polished.
- + DMT1807 Chrome-plated brass, polished.

### INSTALLATION

- + It is designed for 20 mm diameter hole in porcelain-enameled steel, cast-iron or vitreous-china lavatories, as well as countertops adjacent to lavatories. It can be mounted in unused faucet hole or through special hole when the counter is ordered.



DMT1087

## DISPENSER REPLACEMENT REQUIREMENTS AND RECOMMENDATIONS

The following recommendations are intended to provide guidelines on the best possible placement of the dispensers. Because every location a dispenser is to be mounted is different, depending on customer site, physical size limitations, and available space, these recommendations may not always be entirely possible to follow. However, when placing a dispenser installation must meet ADA requirements and should promote ease of use and be in union with its surroundings. Upon installation, the dispenser should be level and the job results professional, presentable and fully functional.

## AFTERCARE INSTRUCTIONS

- + Regular cleaning with a soft cloth will keep the surface of your product looking new. Soapy water can be used to remove stubborn marks. Don't use abrasive or chemical cleaners as these may damage the surface finish over time. Use chemicals suitable for plastic products.
- + Don't expose to sunlight.
- + Don't respond to the product with force against the possibility of damage, deformation.
- + Don't throw any cigarettes and flammable materials into the product.



PRODUCT  
CODE

PRODUCT  
DIMEN.

CARTON  
DIMEN.

CARTON  
WEIGHT

INBOX  
QUANTITY

PALLET  
QUANTITY

GROSS PALLET  
DIMEN.

GROSS PALLET  
WEIGHT

DMT1085 1 L

15 cm

77x52x30 cm

10,5 kg

24

336

80x120x255 cm

162 kg

DMT1087 1 L

15 cm

68x36x39 cm

18 kg

24

360

80x120x210 cm

285 kg